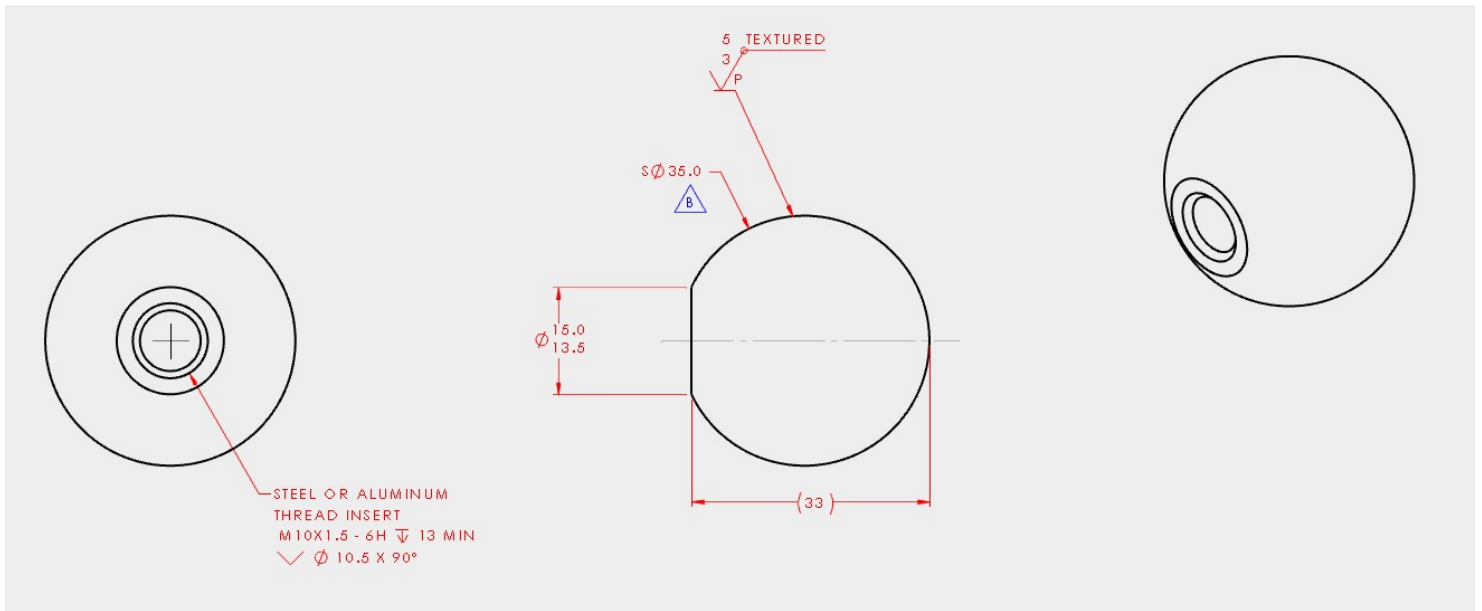


B series handle (35mm ball)



**** Consult your local QP Representative for additional technical specifications and handle designs ****