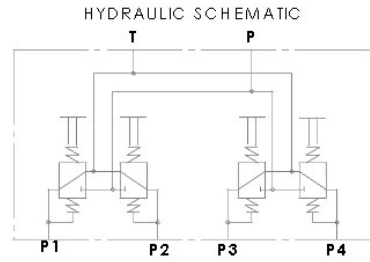
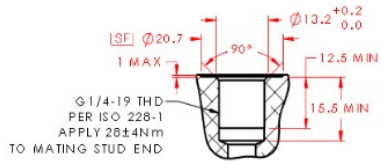
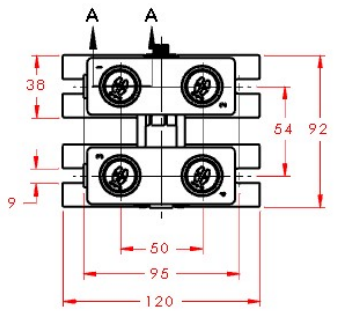
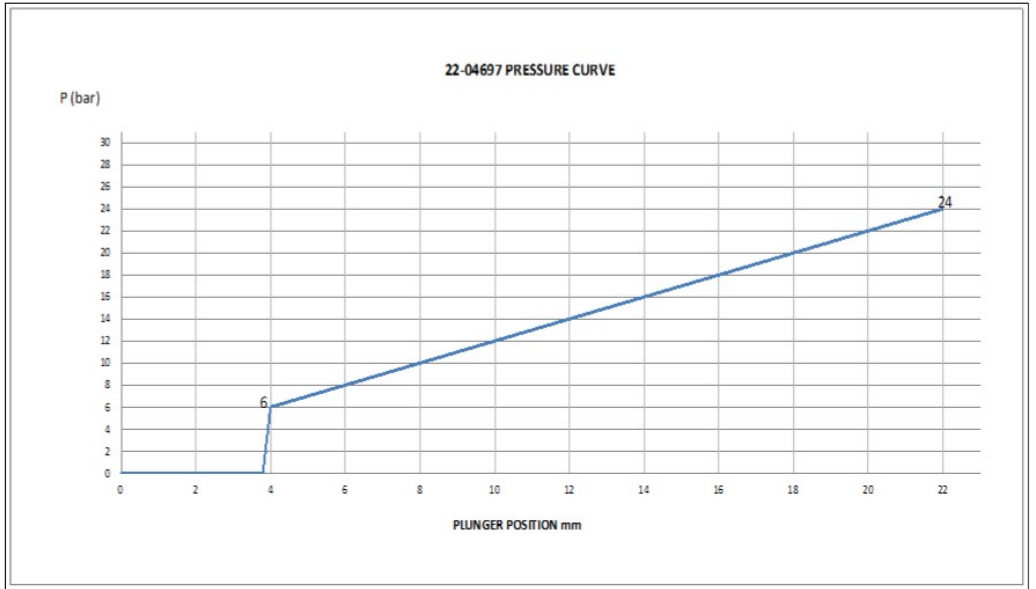
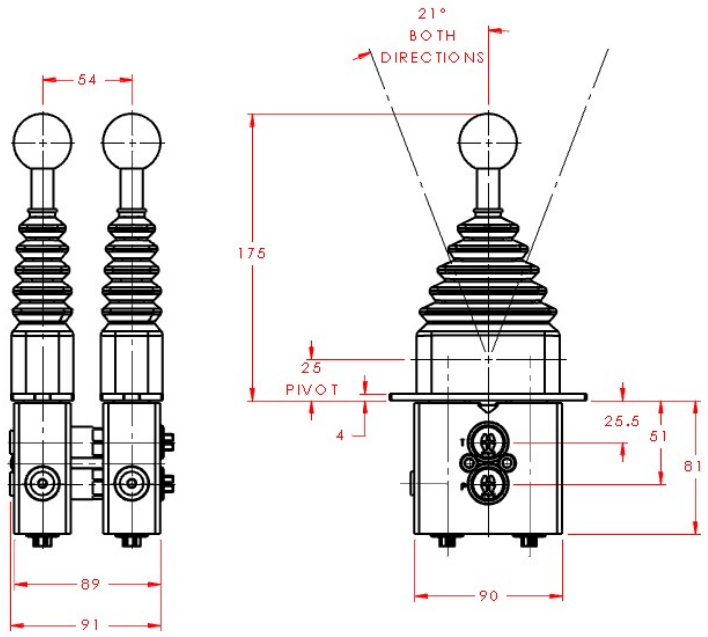


8 7 6 5 4 3 2 1

REVISIONS

REV.	REV. DESCRIPTION	REV. DATE	REV. BY
C			



HYDRAULIC SPECIFICATION:

1. MAXIMUM INPUT PRESSURE: 60 Bar
2. RATED PRESSURE: 34 Bar
3. MAXIMUM RETURN PRESSURE: 3 Bar
4. OUTPUT PRESSURE: SEE PRESSURE CURVE GRAPH
5. MAXIMUM NATURAL LEAKAGE: 48mL/MIN
6. MAXIMUM WORKING LEAKAGE: 35mL/MIN/CARTRIDGE
7. OIL: MINERAL OIL (10W RECOMMENDED)
8. WORKING FLOW: 20 L/min
9. TEMPERATURE: -20° ~ 90°C

SOLIDWORKS / ENTERPRISE PDM CONTROLLED DOCUMENT. ALL COPIES ARE REFERENCE

METRIC	NAME	DATE
DRAWN	2/2	02/14/2022
CHECKED		
APPROVED		

QP Hydraulics
 DIVISION OF PRINCE INDUSTRIES, INC.
PILOT VALVE - SLH+1-446
 (INSTALLATION)

MATERIALS:
 FINISH:
 PART NO: 22-04697
 REV: C

DESCRIPTION CODE: SLH+1-4NSGSS-B00-S3A
 WEIGHT: g
 SCALE: 1:1.0
 SOLIDWORKS SHEET 1 OF 1

PRINCE INDUSTRIES INC.
 PROPRIETARY
 THIS DOCUMENT CONTAINS CONFIDENTIAL INFORMATION AND IS THE PROPERTY OF PRINCE INDUSTRIES INC. IT IS TO BE KEPT SECRET AND NOT TO BE REPRODUCED OR TRANSMITTED IN ANY FORM OR BY ANY MEANS, ELECTRONIC OR MECHANICAL, INCLUDING PHOTOCOPYING, RECORDING, OR BY ANY INFORMATION STORAGE AND RETRIEVAL SYSTEM.

8 7 6 5 4 3 2 1

B METRIC