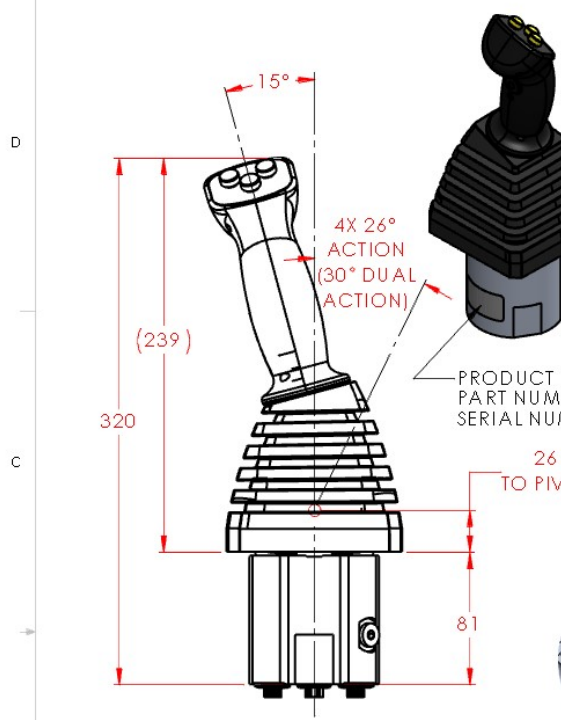


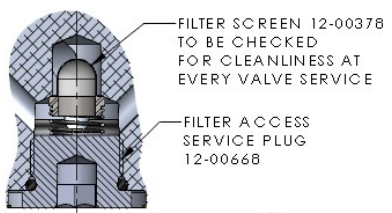
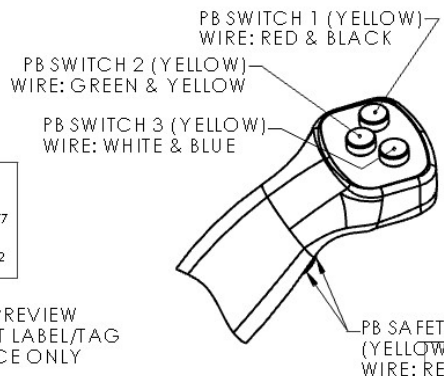
CONDUCTOR SPECIFICATION							
AWG	RATED TEMP.	RATED VOLTAGE	CONDUCTOR	NUMBER OF CONDUCTORS	CONDUCTOR DIAMETER	INSULATION THICKNESS	OD OF INSULATION
20	105° C	300V	BARE COPPER WIRE	10	0.16mm	0.42mm	1.8mm

REVISIONS			
REV.	REV. DESCRIPTION	REV. DATE	REV. BY

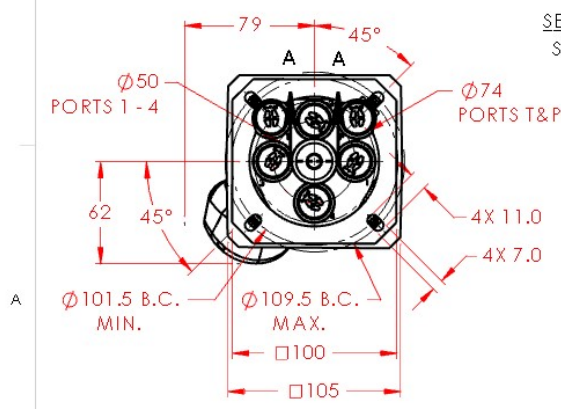
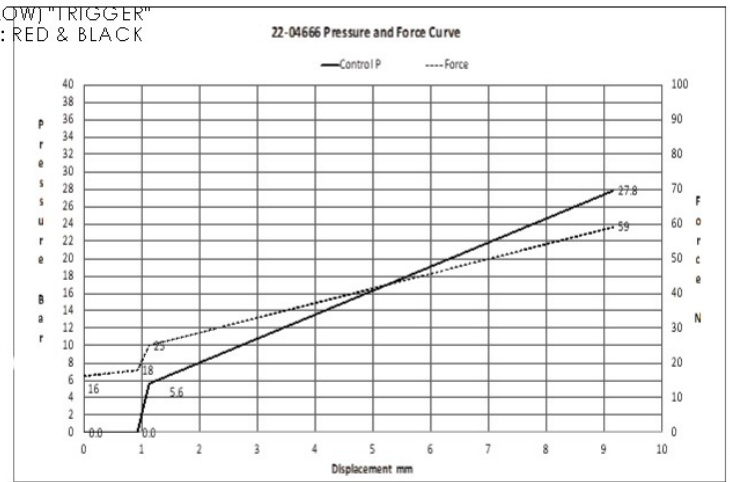
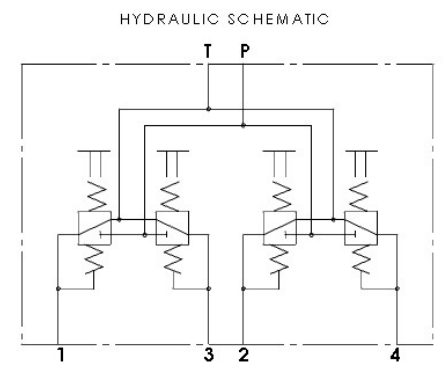
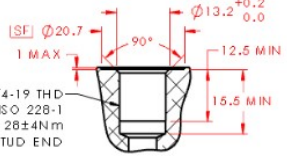


WWW.QPHYDRAULICS.COM
 22-04666 - PATENTS:
 USA 9323283, 9836077
 10942540
 CHINA: CN105229552

QR CODE
 SAMPLE PREVIEW PRODUCT LABEL/TAG REFERENCE ONLY



SECTION A-A
 SCALE 1:1



- HYDRAULIC SPECIFICATION:**
1. MAXIMUM INPUT PRESSURE: 100 Bar
 2. RATED PRESSURE: 40 Bar
 3. OUTPUT PRESSURE: SEE PRESSURE CURVE GRAPH
 4. MAXIMUM NATURAL LEAKAGE: 48mL/MIN
 5. MAXIMUM WORKING LEAKAGE: 35mL/MIN/CARTRIDGE
 6. MAXIMUM INSTALLATION TORQUE: 32Nm
 7. OIL: MINERAL OIL (10W RECOMMEND)
 8. WORKING FLOW: 25 L/min
 9. TEMPERATURE: -20°C ~ 90°C

PRINCE INDUSTRIES INC.
 PROPRIETARY

SOLIDWORKS / ENTERPRISE PDM CONTROLLED DOCUMENT. ALL COPIES ARE REFERENCE

METRIC DRAWN CHECKED APPROVED	NAME DATE 10/18/2022	QP Hydraulics DIVISION OF PRINCE INDUSTRIES, INC. DESCRIPTION PV JSH, Q31-LEFT & RIGHT HAND INSTALLATION DISCUSSION CODE: JSH-4NSGS-Q31R-S3A PART NO 22-04666 REV B
SEE NOTES	WEIGHT: 3894 g SCALE: 1:3 SOLIDWORKS SHEET 1 OF 1	IN FIRST ANGLE PROJECTION P Q P Hydraulics