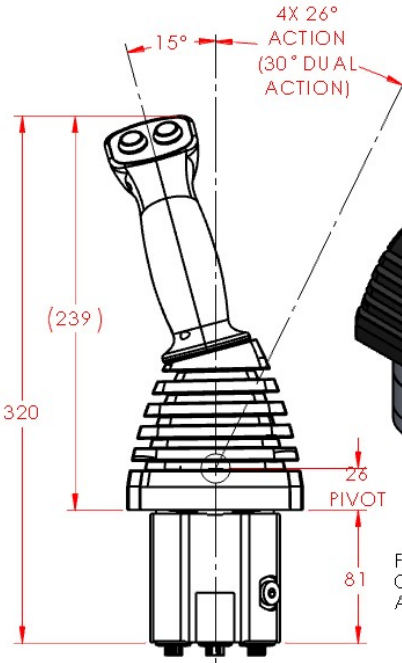
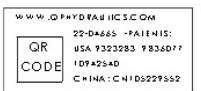


| CONDUCTOR SPECIFICATION | | | | | | | |
|-------------------------|-------------|---------------|------------------|----------------------|--------------------|----------------------|---------------------|
| AWG | RATED TEMP. | RATED VOLTAGE | CONDUCTOR | NUMBER OF CONDUCTORS | CONDUCTOR DIAMETER | INSULATION THICKNESS | OD OF INSULATION |
| 20 | 105°C | 300V | BARE COPPER WIRE | 10 | 0.16mm | 0.42mm | 1.8 _± mm |

| REVISIONS | | | |
|-----------|------------------|-----------|---------|
| REV. | REV. DESCRIPTION | REV. DATE | REV. BY |
| A | | | |

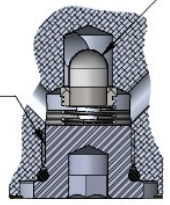


PRODUCT LABEL
PART NUMBER /
SERIAL NUMBER

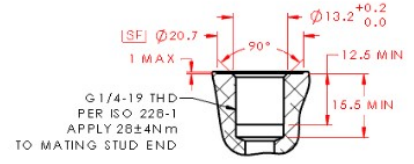
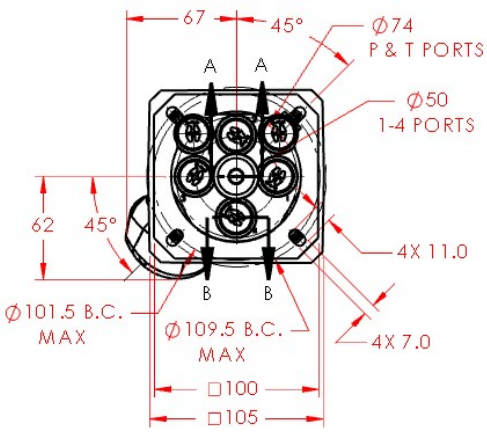
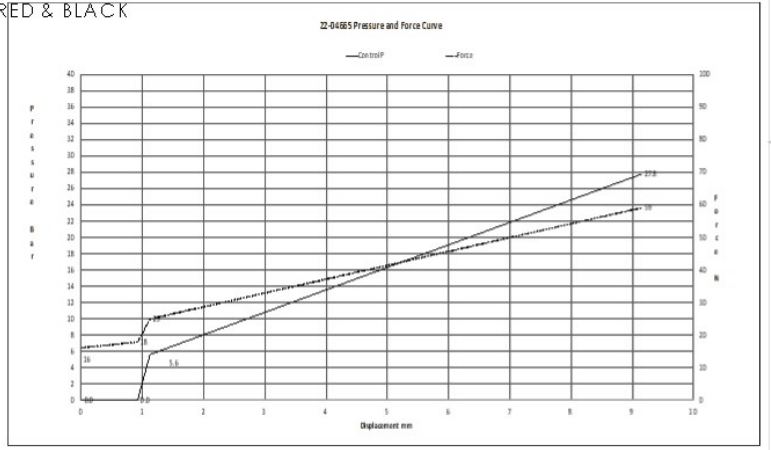
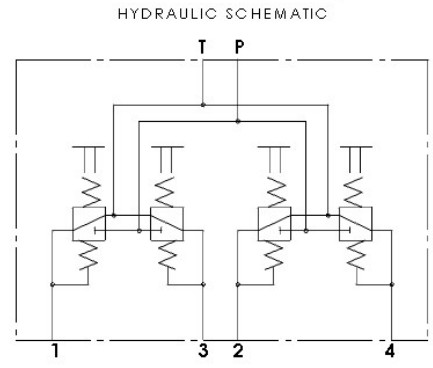
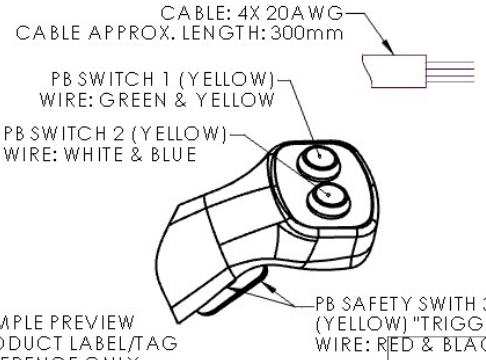


SAMPLE PREVIEW
PRODUCT LABEL/TAG
REFERENCE ONLY

FILTER SCREEN 12-00378 TO BE
CHECKED FOR CLEANLINESS
AT EVERY VALVE SERVICE



FILTER ACCESS SERVICE
PLUG 12-00668



- HYDRAULIC SPECIFICATION:**
1. MAXIMUM INPUT PRESSURE: 100 Bar
 2. RATED PRESSURE: 40 Bar
 3. OUTPUT PRESSURE: SEE PRESSURE CURVE GRAPH
 4. MAXIMUM NATURAL LEAKAGE: 48ml/MIN
 5. MAXIMUM WORKING LEAKAGE: 35ml/MIN/CARTRIDGE
 6. MAXIMUM INSTALLATION TORQUE: 32Nm
 7. OIL: MINERAL OIL (10W RECOMMEND)
 8. WORKING FLOW: 25 L/min
 9. TEMPERATURE: -20°C ~ 90°C

SOLID WORKS / ENTERPRISE PDM CONTROLLED DOCUMENT. ALL COPIES ARE REFERENCE

| | | |
|---------------|------|------------|
| METRIC | NAME | DATE |
| DRAWN | | 10/14/2022 |
| CHECKED | | |
| APPROVED | | |

QPHydraulics
DIVISION OF PRINCE INDUSTRIES, INC.
PILOT VALVE JSH, Q21- RIGHT HAND
INSTALLATION
DISCREPANCY CODE: JSH-4NSGS-Q21R-S3A

PART NO: **22-04665** REV: **A**

WEIGHT: 3891 g SCALE: 1:3
SOLIDWORKS SHEET 1 OF 1

