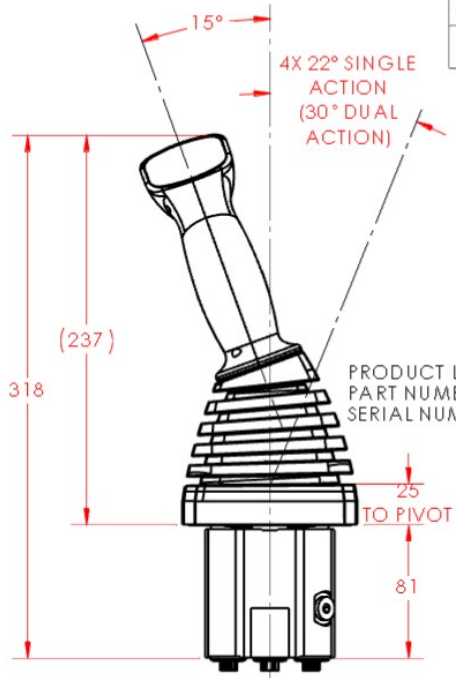
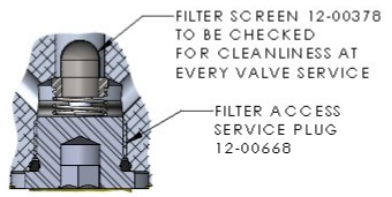
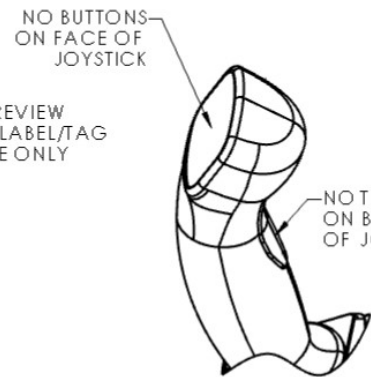


CONDUCTOR SPECIFICATION							
AWG	RATED TEMP.	RATED VOLTAGE	CONDUCTOR	NUMBER OF CONDUCTORS	CONDUCTOR DIAMETER	INSULATION THICKNESS	OD OF INSULATION
20	105°C	300 V	BARE COPPER WIRE	10	0.16mm	0.42mm	1.8 _{±.1} mm

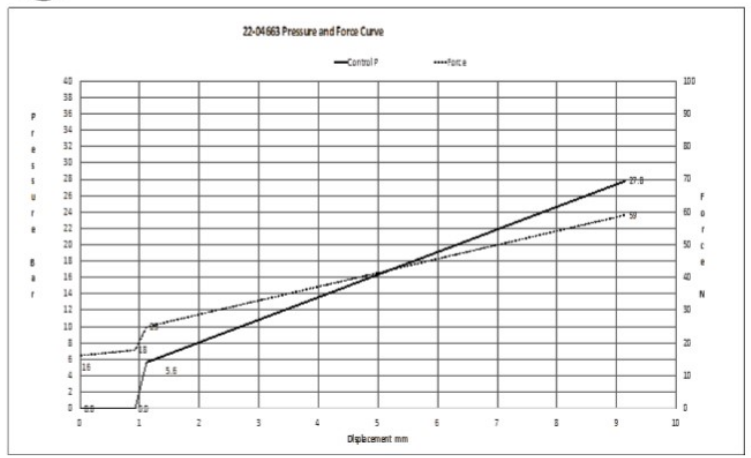
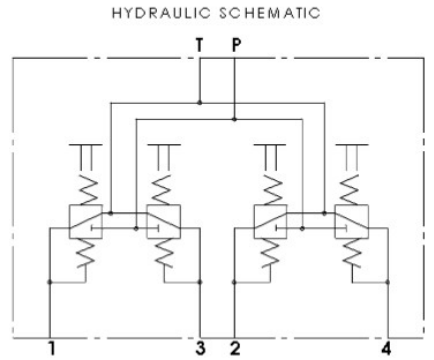
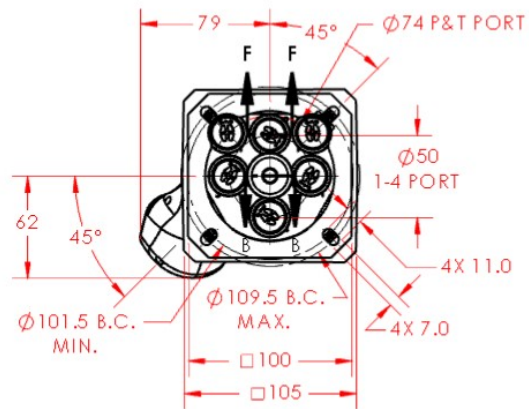
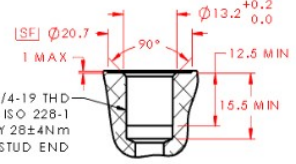
REVISIONS			
REV.	REV. DESCRIPTION	REV. DATE	REV. BY
B			



WWW.QP-HYDRAULICS.COM
 22-04663 -FA111115
 USA 9323283 9834077
 10942540
 CHINA:CH105297552



SECTION B-B
 SCALE 1:1



- HYDRAULIC SPECIFICATION:**
1. MAXIMUM INPUT PRESSURE: 100 Bar
 2. RATED PRESSURE: 40 Bar
 3. OUTPUT PRESSURE: SEE PRESSURE CURVE GRAPH
 4. MAXIMUM NATURAL LEAKAGE: 48mL/MIN
 5. MAXIMUM WORKING LEAKAGE: 35mL/MIN/CARTRIDGE
 6. MAXIMUM INSTALLATION TORQUE: 32Nm
 7. OIL: MINERAL OIL (10W RECOMMEND)
 8. WORKING FLOW: 25 L/min
 9. TEMPERATURE: -20°C ~ 90°C

PRINCE INDUSTRIES INC. PROPRIETARY

SOLIDWORKS / ENTERPRISE PDM CONTROLLED DOCUMENT. ALL COPIES ARE REFERENCE

METRIC	NAME	DATE
DRAWN		10/07/2022
CHECKED		
APPROVED		

SEE BOM

QP Hydraulics
 DIVISION OF PRINCE INDUSTRIES, INC.

DISC #PI04H
 PILOT VALVE-JSH, LEFT & RIGHT HAND (INSTALLATION)

DESCRIPTION CODE: JSH-4NSGS-Q00-S3A

PART NO: **22-04663** REV **B**

WEIGHT: 3878.5g SCALE: 1:3

SOLIDWORKS SHEET 1 OF 1